

SN MEGA® FUSE HOLDER

32V DC • 500A • In-line • AssureLatch™ Technology



Description

The SN-MEGA is a high amperage in-line fuse holder with sealed positive latching technology. The fuse holder base and cover are secured together with AssureLatch™ technology to form a water resistant and ignition protected assembly.

Covers are retained to the base with a built in tether to ensure there are no missing components during servicing. Bases feature thru-hole provisions to ensure that the unit is mounted securely to the application and features a footprint identical to similar fuse holders which allows for change-over from existing unsealed technology.

Features and Benefits

- Provides high amperage, in-line, main or branch Circuit Protection in harsh or hazardous environments
- Waterproof/sealed fuse compartment provides protection from fuse corrosion
- Ignition protected to SAE J1171 and ISO 8846 for installation in a battery box or on vehicles carrying hazardous loads
- All stainless steel hardware and tin-plated 100% pure copper optimize long-term corrosion protection
- Allows dielectric spray on cable terminals without compromising fuse connections
- Cover retention ensured through integrated tether
- AssureLatch™ technology for worry-free positive latching
- Available with custom pre-loaded fuses

Web Resources

Download 2D outline and additional technical resources at: littelfuse.com/sn-mega

Specifications Overview

Max Voltage Rating:	32V DC
Max Current Rating:	500A
Studs:	M8x1.25 thread
Recommended Stud Torque:	20 Nm / 15 lb-ft
Temperature Range:	-50 to +125 °C
Ingress Protection:	IP66 / IP6K9K
Humidity:	0-95% RH
Shock:	50 G
Vibration:	8 G
Dimensions:	130 x 47.4 x 40.7 mm

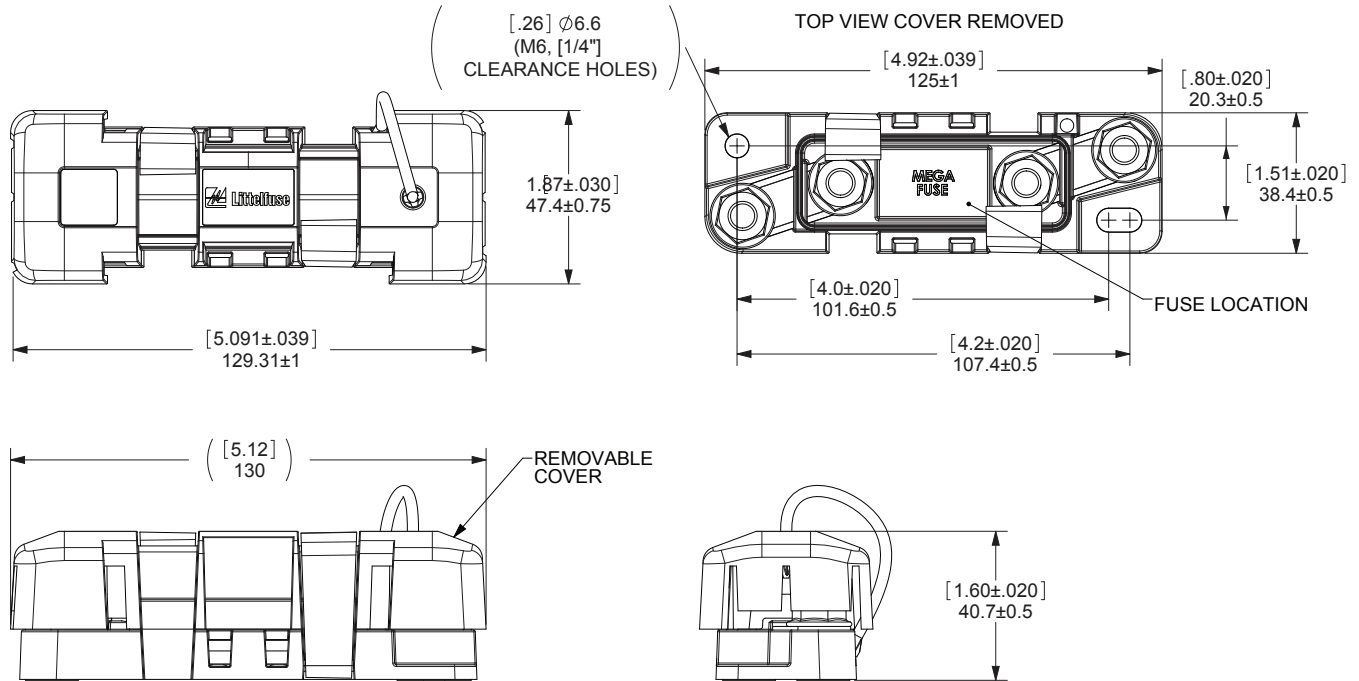
Recommended Fuses

- Littelfuse series: MEGA®
- Competitor cross-reference equivalents

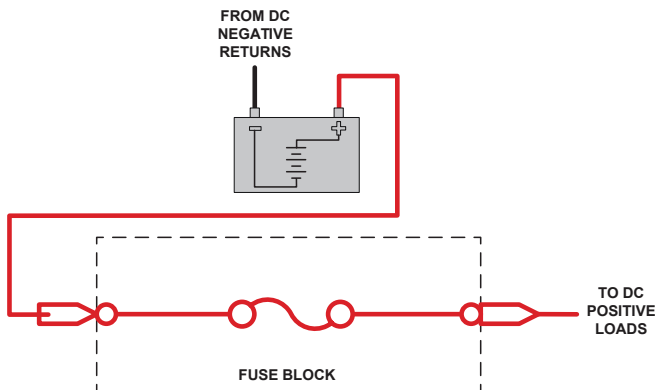
Ordering Information

PART NUMBER	DESCRIPTION
880014	SN MEGA Fuse Holder Assembly
880014080	SN MEGA Fuse Holder with 80A Mega Fuse
880014100	SN MEGA Fuse Holder with 100A Mega Fuse
880014125	SN MEGA Fuse Holder with 125A Mega Fuse
880014150	SN MEGA Fuse Holder with 150A Mega Fuse
880014200	SN MEGA Fuse Holder with 200A Mega Fuse
880014225	SN MEGA Fuse Holder with 225A Mega Fuse
880014250	SN MEGA Fuse Holder with 250A Mega Fuse
880014300	SN MEGA Fuse Holder with 300A Mega Fuse
880014350	SN MEGA Fuse Holder with 350A Mega Fuse
880014400	SN MEGA Fuse Holder with 400A Mega Fuse
880014450	SN MEGA Fuse Holder with 450A Mega Fuse
880014500	SN MEGA Fuse Holder with 500A Mega Fuse
880015	Sealed SN MEGA Fuse Holder Assembly

Dimensions in millimeters



Configuration



Visit Littelfuse.com for the most up-to-date product information. Littelfuse products are designed for specific applications and should not be used for any purpose (including, without limitation, automotive applications) not expressly set forth in applicable Littelfuse product documentation. Warranties granted by Littelfuse shall be deemed void for products used for any purpose not expressly set forth in applicable Littelfuse product documentation. Littelfuse shall not be liable for any claims or damages arising out of products used in applications not expressly intended by Littelfuse as set forth in applicable Littelfuse product documentation.